

# CE-557TS

## Semi-Automatic Case Taper



- Top and Side Belts
- 3 Heavy Duty 200W Motors
- Heavy Duty Tape Heads
- Heavy Duty Belts
- Heavy Duty Gears
- 16 inch Infeed /Exit Tables
- 4 Casters Included
- Breaker Switch
- Emergency Stop

### Best Value on the Market PERIOD!!!

The CE-557TS uniform, semi-automatic carton sealer is designed to help you save time and money on production runs. Adjustable belt systems allow you to tailor the machine to both small and large boxes for clean, uniform seals each and every time. Each carton sealer has a set of powerful, reliable motors and features user-oriented operations to make running it a breeze.

- Suitable for wide and heavy cartons up to 75 lbs
- Manual width / height adjustment
- Top & side drive belts
- Includes 16" long infeed / exit trays



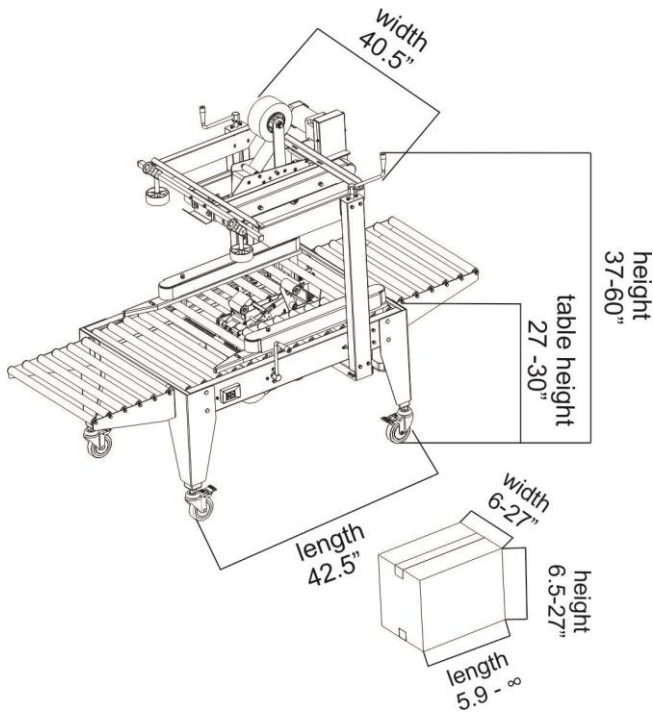
- Emergency Stop Switch
- Breaker Switch



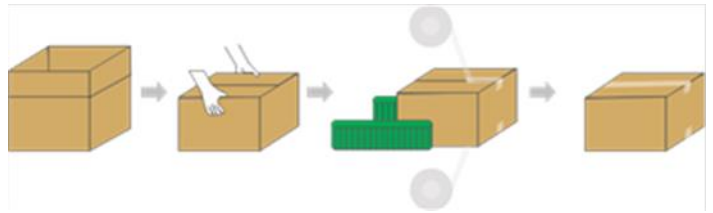
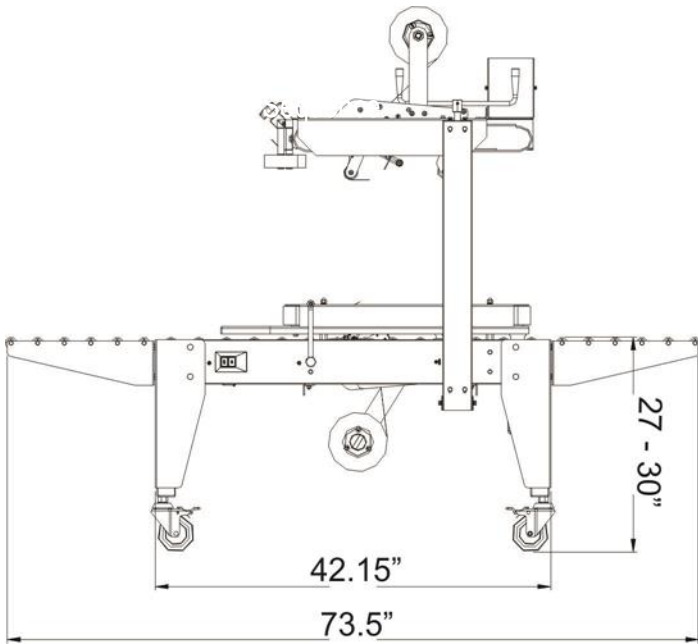
Leg Height Adjustment

**For More Information, Contact:**

## CE-557TS Semi-Automatic Case Taper



Model	MACHINE SIZE (inches)			
	length	width	height	Table height
CE-557TS - 2inch Tape	42.15	40.5	37-60	Adjustable 27-30
CE-557TS - 3inch Tape	42.15	40.5	37-60	Adjustable 27-30
Model	CARTON SIZE			
	length	width	height	
CE-557TS - 2inch Tape	5.9 - ∞	6 - 27	6.5 - 27	
CE-557TS - 3inch Tape	5.9 - ∞	6 - 27	6.5 - 27	



**Dimension:** 42 (L) x 34 (W) x 40 (H)

**Power Supply:** 110V / 60 Hz

**Belt Speed:** 50' / minute

**Tape Options:** 2 or 3 inch Tape Heads

**Weight:** 330 lbs.

**1 Year Warranty**

**For More Information, Contact:**