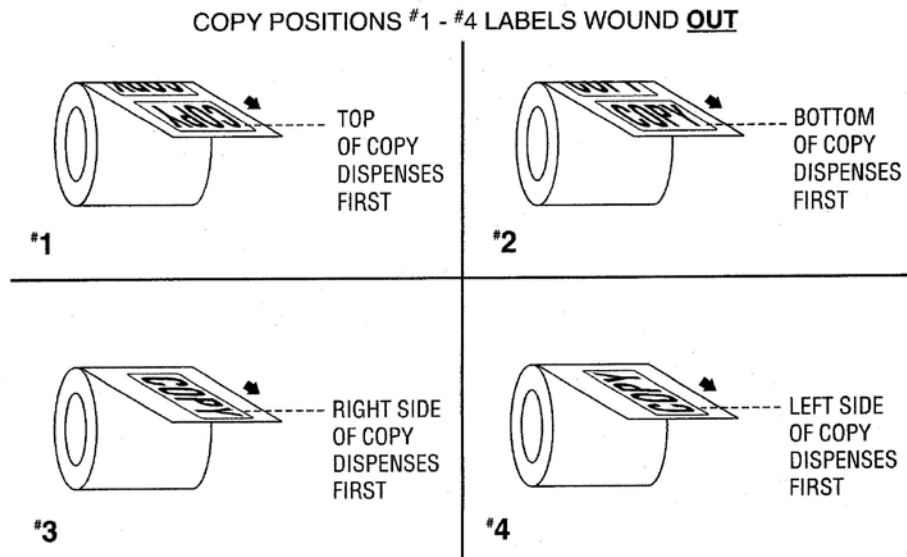


Flex+Matic Label Requirements

- 1.) Must be on 3" core
- 2.) Must have at least an 1/8" gap between labels
- 3.) Must be wound out in copy position 1, 2 3 or 4



- 4.) Maximum roll diameter 9"
*Upgrade to 15" diameter for \$35