



SGP Series Piston Fillers

Great for Liquids, Paste &
Creams

The SGP Series Piston Fillers are non-electric piston fillers ideal for use in wet environments. Designed for both safety and convenience, these paste and cream fillers can be set up and operated anywhere where electricity is not available or where there may be a safety concern. Ideal for handling chemical and flammable materials, these piston fillers use a foot pedal to trigger the fill cycle.

- All touch materials of this machine adopt 316 stainless steel surface
- Easily adjust the filling amount within the range as required with high accuracy.
- Simple disassembly for easy cleaning
- Ideal for special industries such as food, chemical, and pesticide.

Model	Std Hopper Size	Capacity(Min – Max)
SGP-60	3 Gallon *	0.34 - 2.0 oz / 10ml - 60ml
SGP-120	3 Gallon *	1.0 – 4.0 oz / 30ml - 120ml
SGP-250	5 Gallon *	1.5 - 8.5 oz / 45ml - 250ml
SGP-500	5 Gallon *	2.5 - 16.9 oz / 75ml - 500ml
SGP-1000	8 Gallon *	3.5 - 33.5 oz / 100ml - 1000ml

**Hopper Upgrades: 3, 5, 8, or 15 gallon hopper.*



866-888-6327

sales@clevelandequipment.com

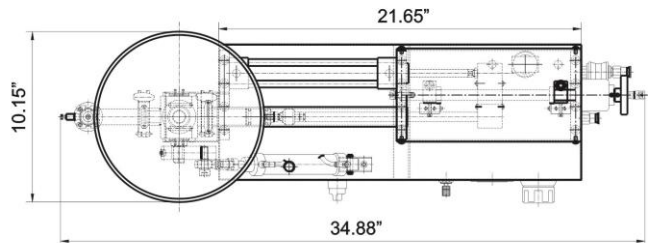
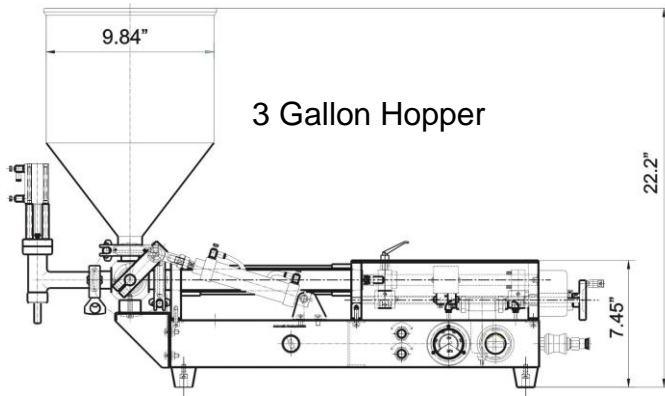
www.clevelandequipment.com

SGP Series Piston Fillers

2

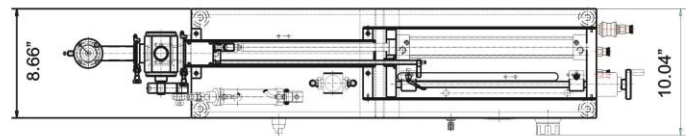
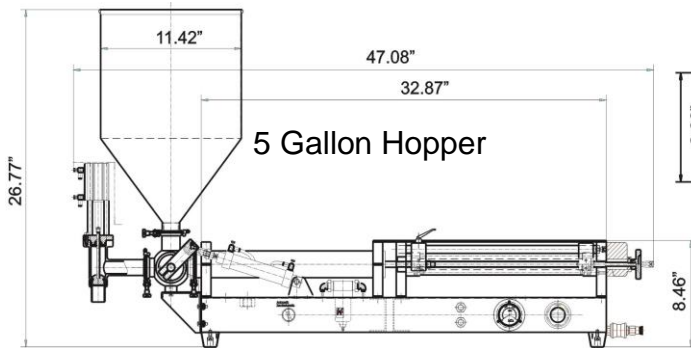
Item		SGP-60	SGP-120	SGP-250	SGP-500	SGP-1000
Filling range	Cream	10-60ml	30-120ml	45-250ml	75-500ml	100-1000ml
	Liquid	-	-	-	-	-
Filling accuracy	Cream	±2%	±2%	±2%	±2%	±2%
	Liquid	±1%	±1%	±1%	±1%	±1%
Working air pressure		0.4-0.5MPa	0.4-0.5MPa	0.4-0.5MPa	0.4-0.5MPa	0.4-0.5MPa
Throughput		0-50 bottle/minute	0-30 bottle/minute	0-50 bottle/minute	0-40 bottle/minute	0-30 bottle/minute
Dimensions (length x width x height)		35"L x 12"W x 23"H *	38"L x 12"W x 27"H *	48"L x 12"W x 27"H *	48"L x 12"W x 27"H *	49"L x 12"W x 29"H *

Note: For this series of machine, the maximum liquid amount to be filled should be less than 5%-10% of the cream amount.
 * Height / Width measurement is with standard included hopper.



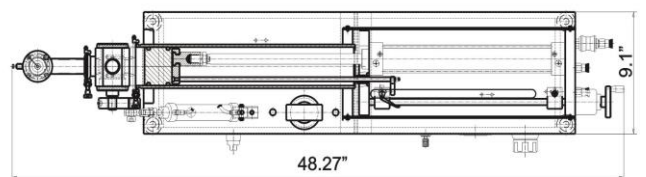
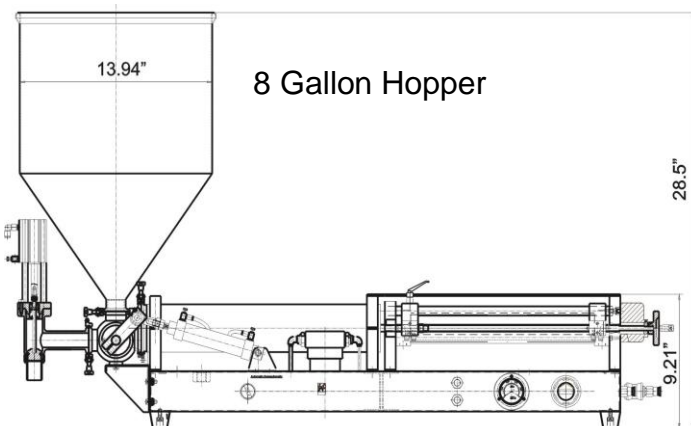
MODELS: SGP-60, SGP-120

**Dimensions may vary by model*



MODELS: SGP-250, SGP-500

**Dimensions may vary by model*



MODELS: SGP-1000

**Dimensions may vary by model*