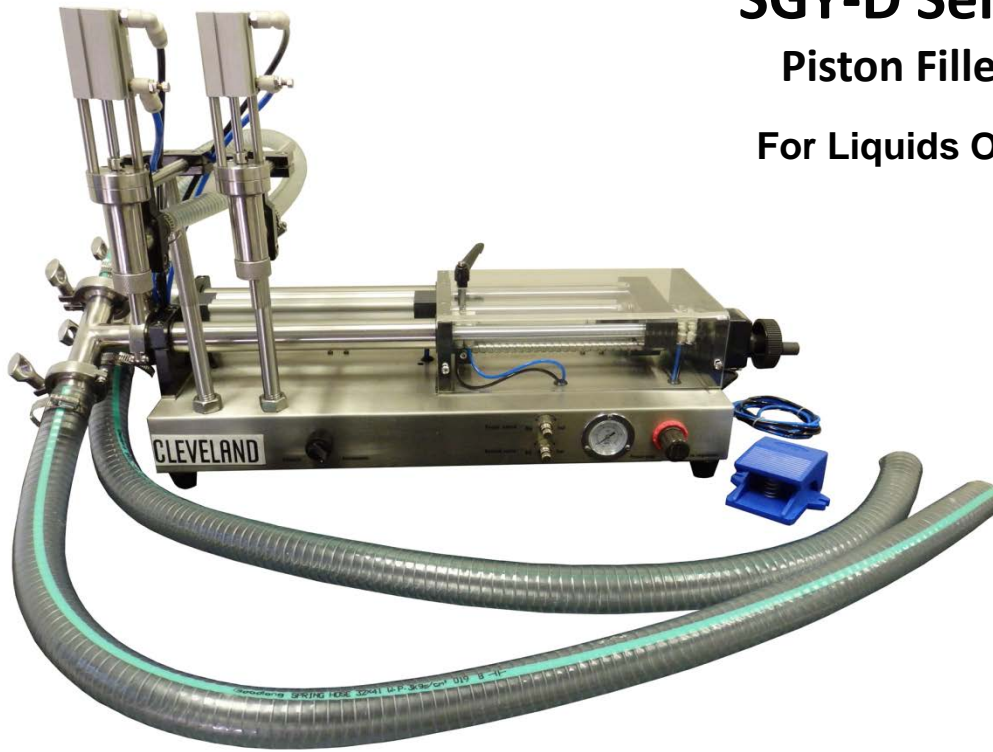


SGY-D Series Piston Fillers For Liquids Only



These high-capacity, electricity-free piston fillers feature a dual-head, bench-top design for extra ease-of-use while working with thinner materials like water, juices and other liquids. The fully pneumatic filler design features a check valve that fills directly from a supply tank — all of which is operated by a foot pedal for additional safety and control. This thin liquid piston filler fills two containers at once with a single press of the foot switch. We offer seven SGY-D Series piston fillers to ensure that you get the proper size and capacity required for your unique needs. Requires air for operation.

Model No.	Filling Capacity (Per Head)	Pressure Range (MPa)	Filling Precision	Speed (min./bottle)	Packing Dimension LxWxH inches	Weight (lb)
SGY-D-60	0.34 - 2.0 oz / 10ml - 60ml	0.4-0.6	1%-2%	0-50	30" x 16.25" x 17.5"	35
SGY-D--120	1.0 - 4.0 oz / 30ml - 120ml	0.4-0.6	1%-2%	0-50	38" x 16.25" x 18.5"	37
SGY--D-250	1.5 - 8.5 oz / 45ml - 250ml	0.4-0.6	1%-2%	0-50	38" x 18.5" x 19.25"	56
SGY-D--500	2.5 - 16.9 oz / 75ml - 500ml	0.5-0.8	1%-2%	0-50	38" x 18.5" x 19.25"	58
SGY--D-1000	3.5 - 33.5 oz / 100ml - 1000ml	0.5-0.8	1%-2%	0-50	40" x 18.5" x 20"	85
SGY--D-2500	8.5 - 84.5 oz / 250ml - 2500ml	0.5-0.8	1%-2%	0-30	42" x 23.5" x 22"	91
SGY--D-5000	16.0 - 169.0 oz / 500ml - 5000ml	0.5-0.8	1%-2%	0-15	44" x 23.5" x 22"	128



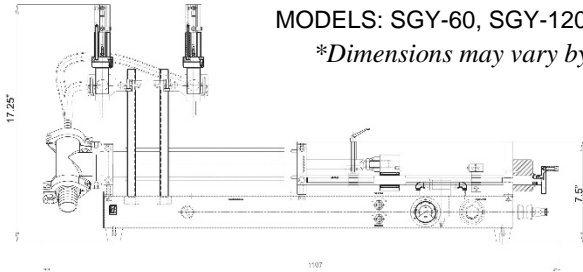
Cleveland Equipment

866-888-6327

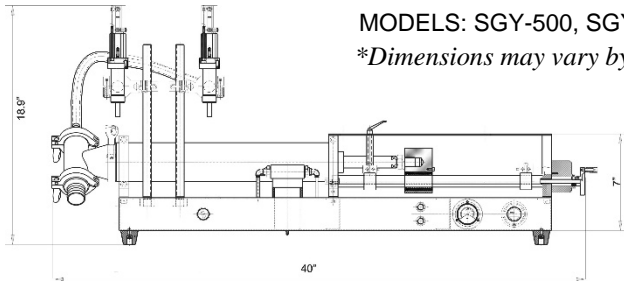
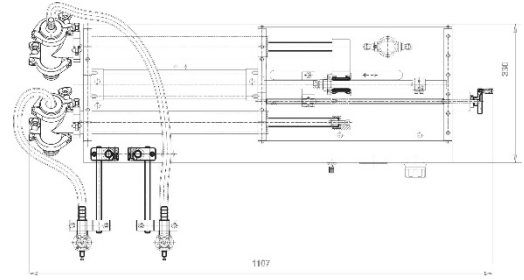
sales@clevelandequipment.com

www.clevelandequipment.com

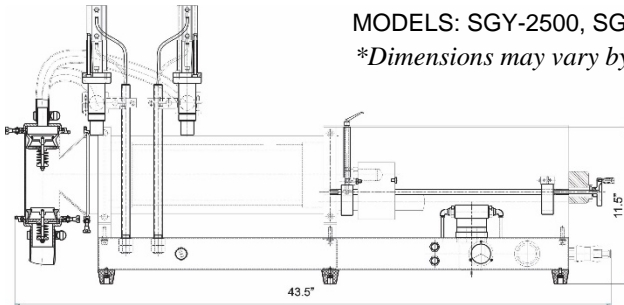
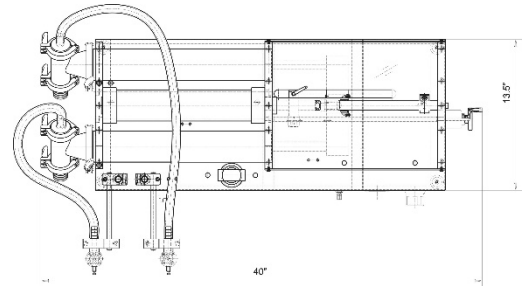
SGY-D Series Piston Fillers



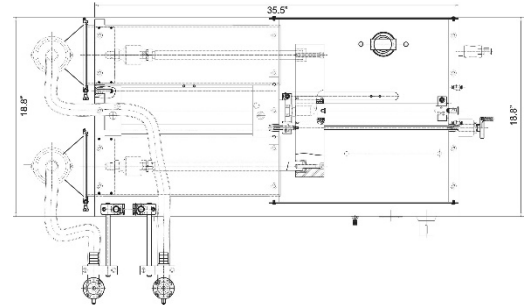
MODELS: SGY-60, SGY-120, SGY-250
**Dimensions may vary by model*



MODELS: SGY-500, SGY-1000
**Dimensions may vary by model*



MODELS: SGY-2500, SGY-5000
**Dimensions may vary by model*



Cleveland Equipment

866-888-6327

sales@clevelandequipment.com

www.clevelandequipment.com