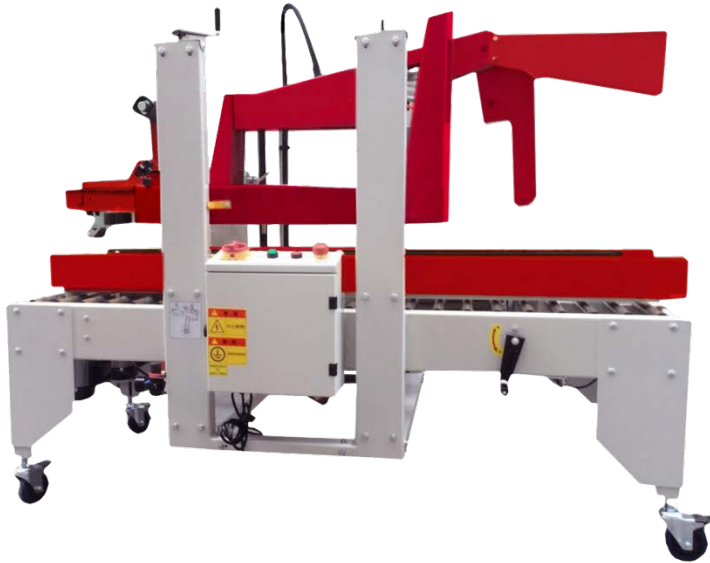


CE-558FD

Uniform Semi-Automatic Carton Sealer



- Side Belts
- 2 Heavy Duty 200W Motors
- Heavy Duty Tape Heads
- Heavy Duty Belts
- Heavy Duty Gears
- 16 inch Infeed /Exit Tables
- 4 Casters Included
- Emergency Stop

Best Value on the Market PERIOD!!!

This uniform, semi-automatic carton sealer with top flap folder is designed to help you save time and money on production runs. Adjustable belt systems allow you to tailor the machine to both small and large boxes for clean, uniform seals each and every time. Each carton sealer has a set of powerful, reliable motors and features user-oriented operations to make running it a breeze.

- Suitable for wide and heavy cartons
- Manual width / height adjustment
- Side drive belts
- Includes 16" long infeed / exit trays



Adjustable Height Legs

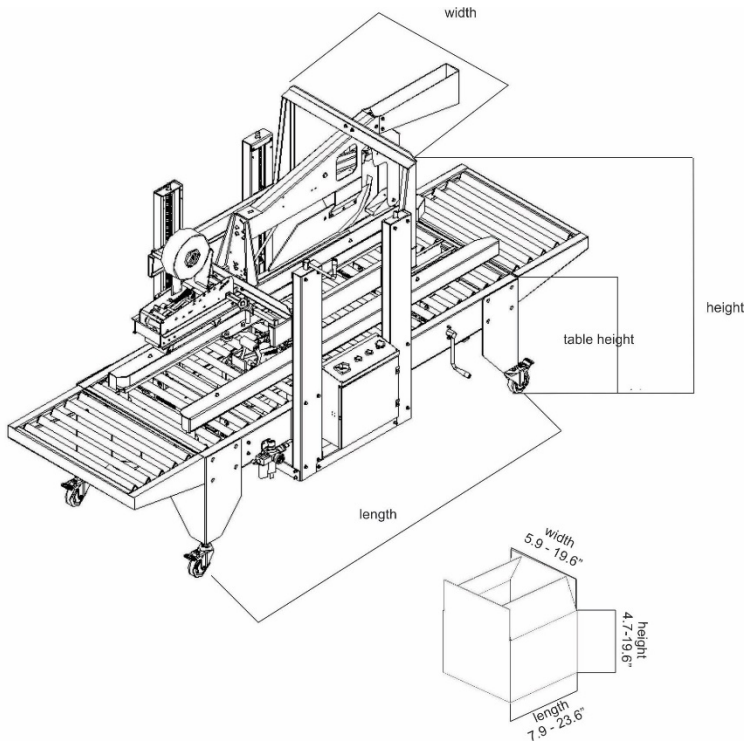


866-888-6327

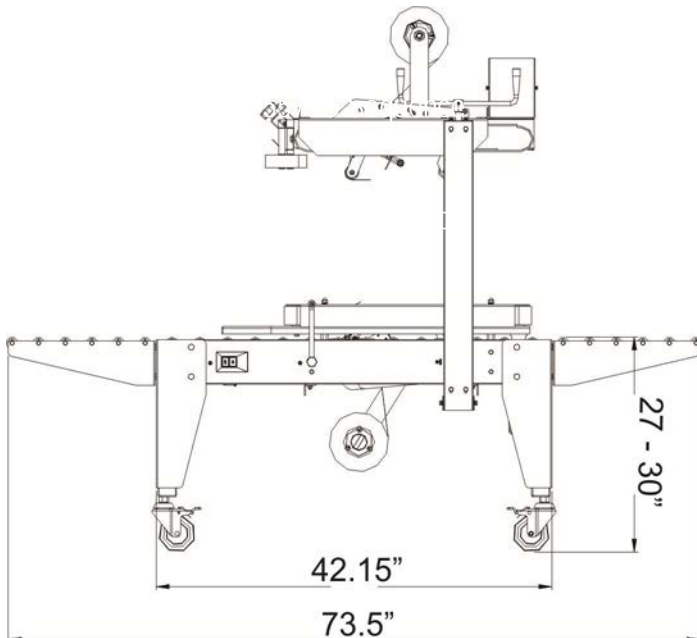
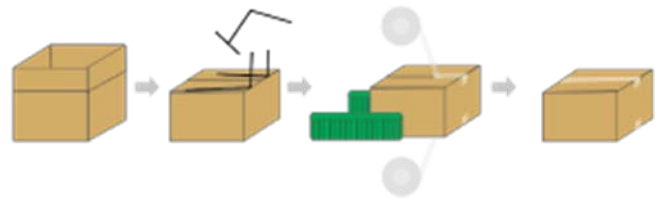
sales@clevelandequipment.com

www.clevelandequipment.com

CE-558FD Uniform Semi-Automatic Carton Sealer



Model	MACHINE SIZE (inches)			
	length	width	height	Table height
CE-558FD 2inch Tape	71	37	52	Adjustable 27-30
CE-558FD 3inch Tape	71	37	52	Adjustable 27-30
Model	CARTON SIZE			
	length	width	height	
CE-558FD 2inch Tape	7.9 - 23.6	5.9 - 19.6	4.7 - 19.6	
CE-558FD 3inch Tape	7.9 - 23.6	5.9 - 19.6	4.7 - 19.6	



Dimension: 71 (L) x 37 (W) x 52 (H)

Power Supply: 110V / 60 Hz

Belt Speed: 50' / minute

Tape Options: 2 or 3 inch Tape Heads

Weight: 542 lbs.

1 Year Warranty



Cleveland Equipment

866-888-6327

sales@clevelandequipment.com

www.clevelandequipment.com