

CE-6702E Edge Sealer With 90 Degree Infeed Table

Competitive Pricing Without Sacrificing Quality!



Case Sizes:

L: 11" – 27.5"

W: 9.85" – 23.5"

H: 7.87" – 23.5"

Conveyor Speed: 20m/Min 110v

90 Psi Air

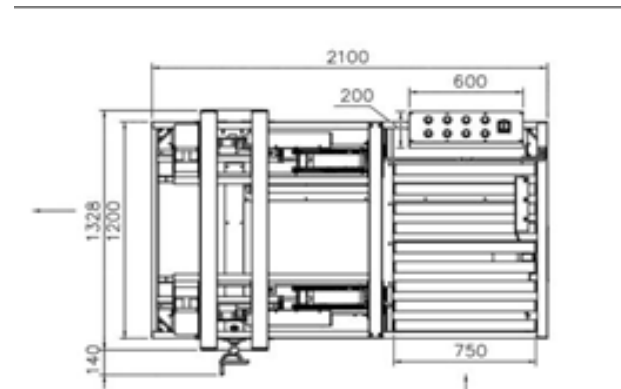
Footprint: L X W X H

82.68" X 52.2" X 65"

Working Table Height*: 22.5" – 30"

*Optional Longer Leg Extensions Available

- Suitable for All General Boxes**
- Seals Box Top and Bottom Edges**
- Four Edges Sealed Continuously**



Secure your cases efficiently! The Edge Sealer will automatically push your sealed case into the machine with a powered conveyor and seal all four exposed edges creating a secure package. This is a great way to completely secure your package for transit and prevent any additional contaminants from entering the box.

FEATURES:

- Top and bottom belt drives
- PLC controlled
- Adjusted manually for box width by crank handle
- Infeed push-carton conveyor
- Box height adjustment is motor-driven (up/down movement)
- Piranha Tape Heads for accurate and consistent sealing
- Locking casters standard
- Easy operation and maintenance
- Built for 24/7 Operation
- Adjustable leg supports



Cleveland Equipment

866-888-6327

sales@clevelandequipment.com

www.clevelandequipment.com