

**SGY Series
Piston Fillers
For Liquids Only**



Opt for this high-grade, semi-automatic piston filler for any liquid products in environments that are wet, damp or not equipped for electricity. The fully pneumatic filler design features a check valve that fills directly from a supply tank — all of which is operated by a foot pedal for additional safety and control. SGY Series Piston Fillers are well-suited for use with hazardous materials, like chemicals and flammable liquids. These semi-automatic liquid fillers are operated with a foot pedal for extra safety and control. Choose from seven SGY Series models, including lower capacity models that service between 10 and 60 milliliters, all the way up to high-capacity models that can handle between 500 and 5,000 milliliters. All touch materials of this machine adopt 316 stainless steel. Requires air for operation.

| Model No. | Filling Capacity | Pressure Range (MPa) | Filling Precision | Speed (min./bottle) | Dimension LxWxH inches | Weight (lb) |
|-----------|----------------------------------|----------------------|-------------------|---------------------|------------------------|-------------|
| SGY-60 | 0.34 - 2.0 oz / 10ml - 60ml | 0.4-0.6 | 1%-2% | 0-50 | 31x10x19 | 35 |
| SGY-120 | 1.0 – 4.0 oz / 30ml - 120ml | 0.4-0.6 | 1%-2% | 0-50 | 34x14x19 | 37 |
| SGY-250 | 1.5 - 8.5 oz / 45ml - 250ml | 0.4-0.6 | 1%-2% | 0-50 | 36x15x19 | 56 |
| SGY-500 | 2.5 - 16.9 oz / 75ml - 500ml | 0.5-0.8 | 1%-2% | 0-50 | 44x15x19 | 58 |
| SGY-1000 | 3.5 - 33.5 oz / 100ml - 1000ml | 0.5-0.8 | 1%-2% | 0-50 | 47x17x19 | 85 |
| SGY-2500 | 8.5 - 84.5 oz / 250ml - 2500ml | 0.5-0.8 | 1%-2% | 0-30 | 52x13x19 | 91 |
| SGY-5000 | 16.0 - 169.0 oz / 500ml - 5000ml | 0.5-0.8 | 1%-2% | 0-15 | 51x15x19 | 128 |

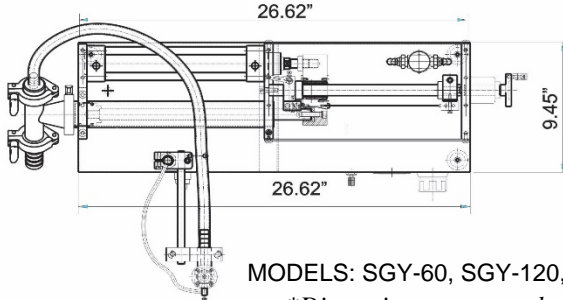
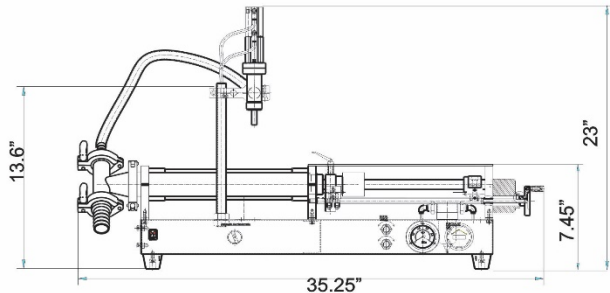


866-888-6327

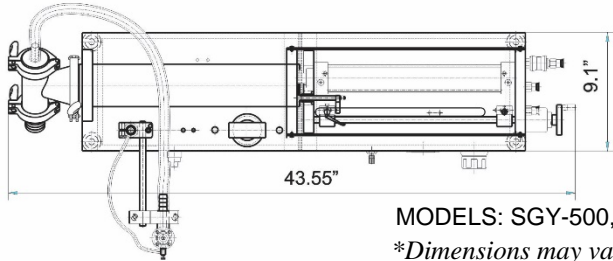
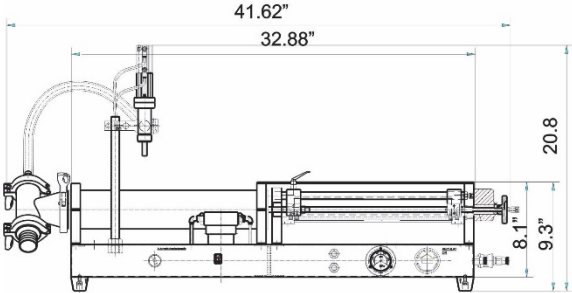
sales@clevelandequipment.com

www.clevelandequipment.com

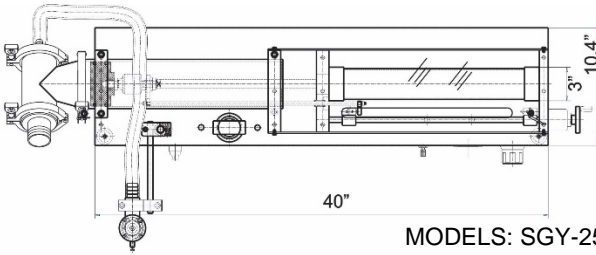
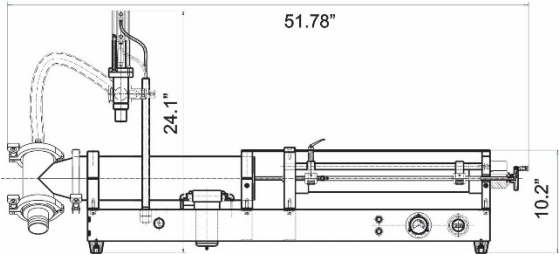
SGY Series Piston Fillers



MODELS: SGY-60, SGY-120, SGY-250
**Dimensions may vary by model*



MODELS: SGY-500, SGY-1000
**Dimensions may vary by model*



MODELS: SGY-2500, SGY-5000
**Dimensions may vary by model*



866-888-6327

sales@clevelandequipment.com

www.clevelandequipment.com